

**COMPRESSOR**

Displacement (cm <sup>3</sup> )	34.42
Diameter (mm)	42.87
Stroke (mm)	23.85
Net Weight (Kg)	22.7
Oil type	ISO VG 46 ESTER
Oil charge (cm <sup>3</sup> )	887

**MOTOR**

Approximate Power (CV)	1
Voltage/Frequency (V/Hz)	220V 50Hz
Voltage range (V)	198-264
Code	82,109
Type	CSR
Phase number	1 PH
Locked rotor current (A)	32.0
Main W. resist. at 25°C (Ω)	1.94
Start W. resist. at 25°C (Ω)	7.44

**APPLICATION**

Application	High/Mid. back pressure
Refrigerant	R134a
Evaporating (°C)	-25 to 10
Expansion	Capillar/Valve
Comp. cooling	Fan cooled
Max. ambient temp. (°C)	43

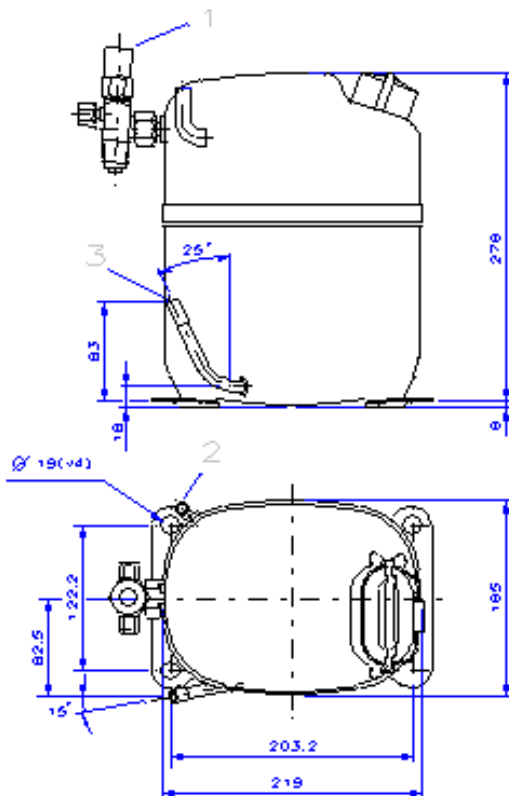
NOMINAL PERFORMANCE	CYCLE C	CYCLE D
Cooling capacity (W)	2852	3408
Input power (W)	1252	1300
EER (kcal/Wh)	1.95	2.25
COP (W/W)	2.27	2.62
Current (A)	6.40	6.59

**TEST CONDITIONS**

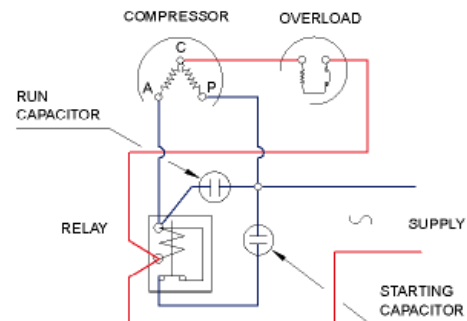
Evaporating temp. (°C)	5.0	7.2
Condensing temp. (°C)	55.0	55.0
Liq.t. entering expan. (°C)	55.0	46.0
Ambient t. and return (°C)	32.0	35.0
Tens/Freq (V/Hz)	220V 50Hz	220V 50Hz

**ELECTRICAL COMPONENTS**

Relay	3ARR3 3AV3	RVA 2L..
Pick-Up (A)	224-252	224-252
Drop-Out (A)	40-90	40-105
Protector	MRT18AJN	T0161
Current (A)	20.2	26.5
Time check (seg)	8.5-13	2.8-5.2
Disc temp. (Open/Close) (°C)	120.0 / 69.0	120.0 / 69.0
Starting capacitor (μF/V)/F/V)	88-108 / 330	
Run capacitor (μF/V)	16 / 370	

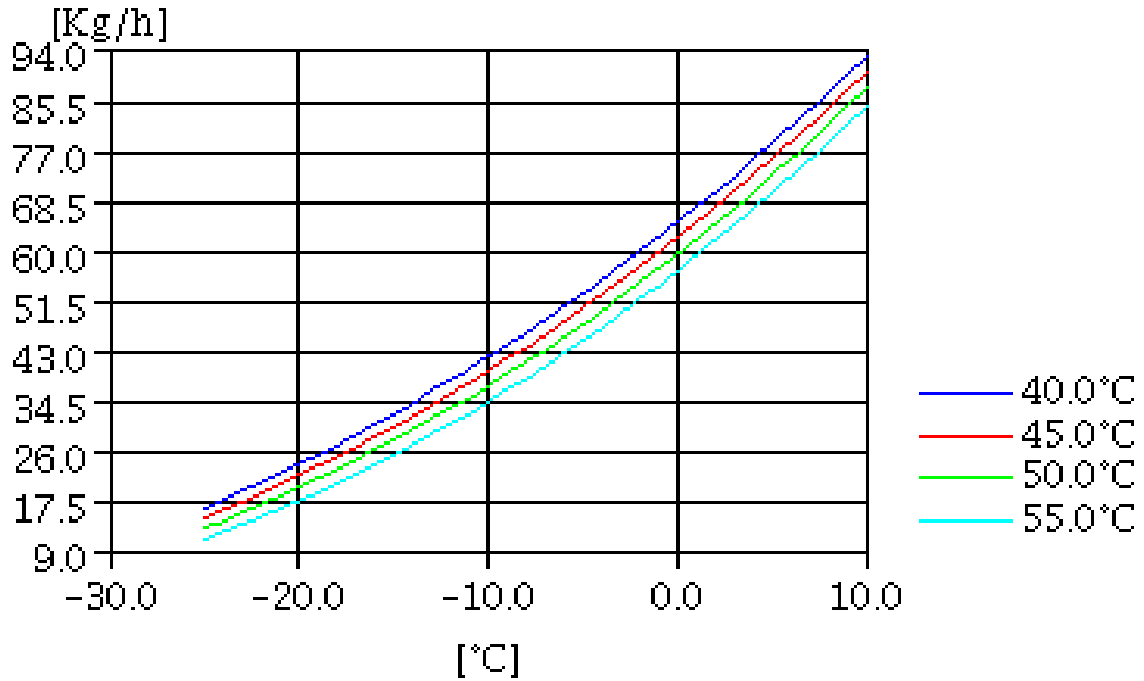
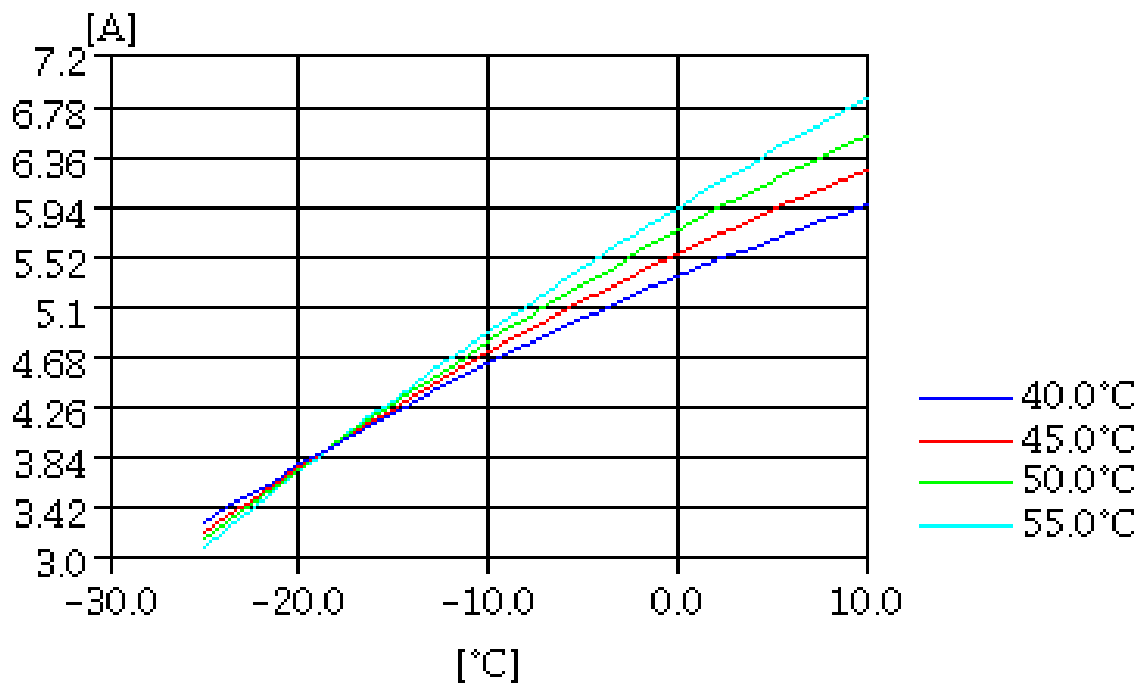
**DIMENSIONS AND ELECTRICAL DIAGRAM**


DESIGNATION	INTERNAL DIAM. (MM)
1 Válv. Serv.	5/8" SAE
2 Service	9.6
3 Discharge	8.0

**CSR**


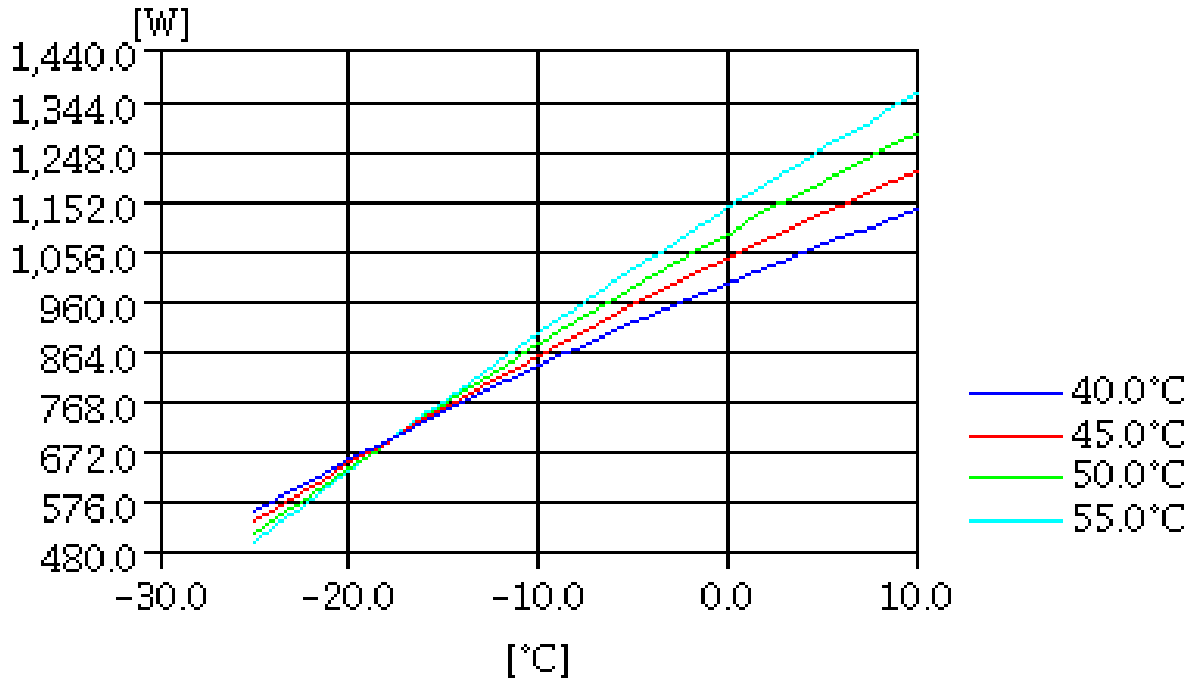
**TEST CONDITIONS**

Voltage/frequency	220V 50Hz
Ambient t. and return	35 °C
Liq.t. entering expan.	Subcooling 9 K

**MASS FLOW**

**CONSUMPTION**


**TEST CONDITIONS**

Voltage/frequency	220V 50Hz
Ambient t. and return	35 °C
Liq.t. entering expan.	Subcooling 9 K

**INPUT W**

**COOLING CAPACITY**
