

COMPRESSOR

Displacement (cm ³)	25.93
Diameter (mm)	39.98
Stroke (mm)	20.65
Net Weight (Kg)	23
Oil type	ISO VG 46 ESTER
Oil charge (cm ³)	887

MOTOR

Approximate Power (CV)	1 3/8
Voltage/Frequency (V/Hz)	220V 50Hz
Voltage range (V)	187-264
Code	82,153
Type	CSR
Phase number	1 PH
Locked rotor current (A)	38.0
Main W. resist. at 25°C (Ω)	1.48
Start W. resist. at 25°C (Ω)	4.95

APPLICATION

Application	High/Mid. back pressure
Refrigerant	R404A
Evaporating (°C)	-25 to 10
Expansion	Capillar/Valve
Comp. cooling	Fan cooled
Max. ambient temp. (°C)	43

NOMINAL PERFORMANCE

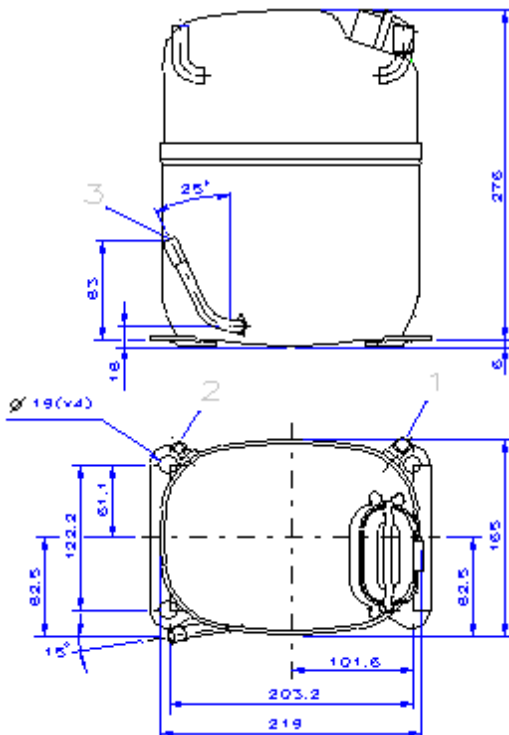
	CYCLE C	CYCLE D
Cooling capacity (kcal/h)	2739	3449
Input power (W)	1574	1629
EER (kcal/Wh)	1.74	2.11
COP (W/W)	2.02	2.46
Current (A)	7.85	8.09

TEST CONDITIONS

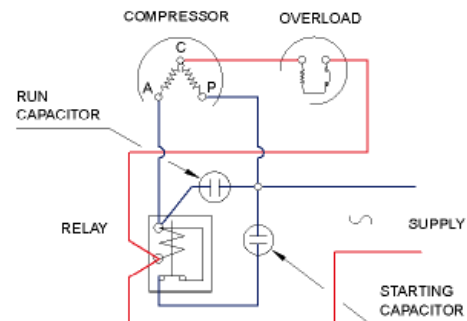
Evaporating temp. (°C)	5.0	7.2
Condensing temp. (°C)	55.0	55.0
Liq.t. entering expan. (°C)	55.0	46.0
Ambient t. and return (°C)	32.0	35.0
Tens/Freq (V/Hz)	220V 50Hz	220V 50Hz

ELECTRICAL COMPONENTS

Relay	3ARR3 10AS3	RVA 3G..
Pick-Up (A)	180-195	180-195
Drop-Out (A)	40-105	40-105
Protector	MRA38123	T0534/G.
Current (A)	22.0	20.0
Time check (seg)	7.5-14	7.5-14
Disc temp. (Open/Close) (°C)	105.0 / 52.0	105.0 / 52.0
Starting capacitor (μF/V)/F/V)	88-108 / 330	
Run capacitor (μF/V)	20 / 400	

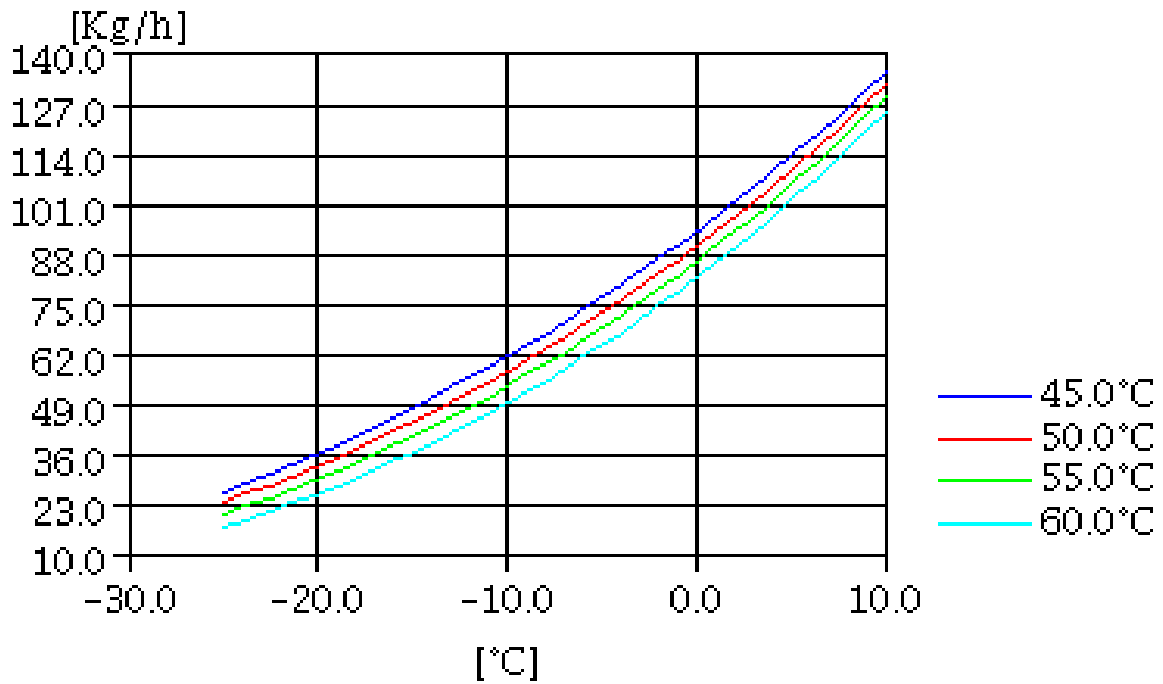
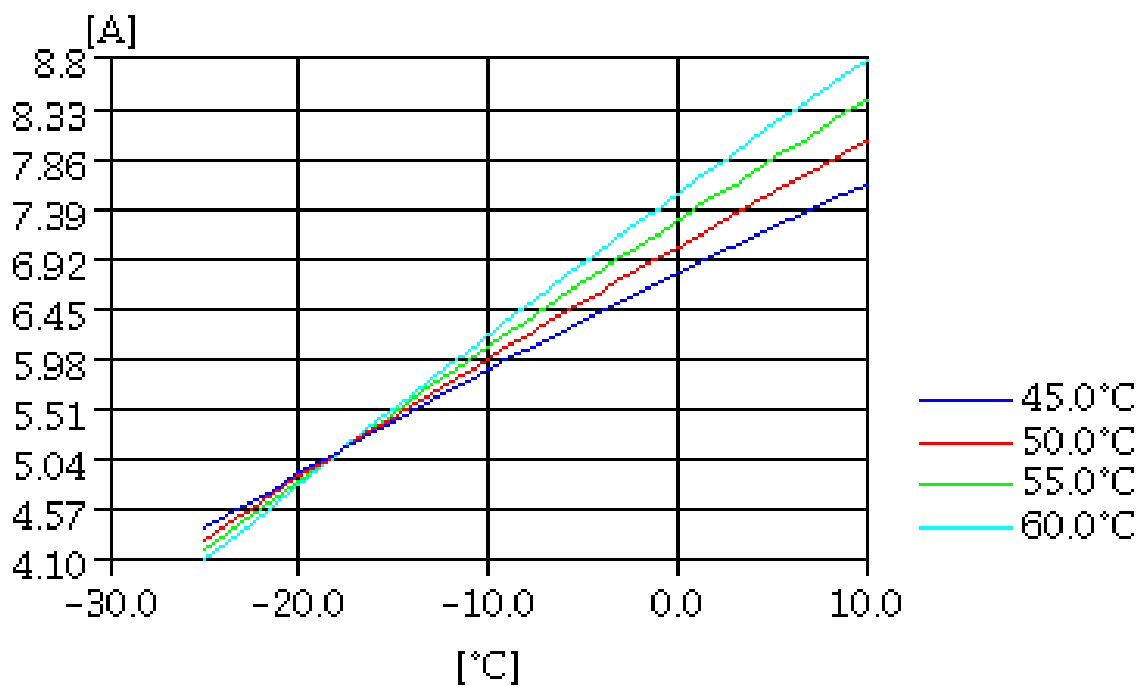
DIMENSIONS AND ELECTRICAL DIAGRAM


	DESIGNATION	INTERNAL DIAM. (MM)
1	Suction	12,7
2	Service	9,6
3	Discharge	8,0

CSR


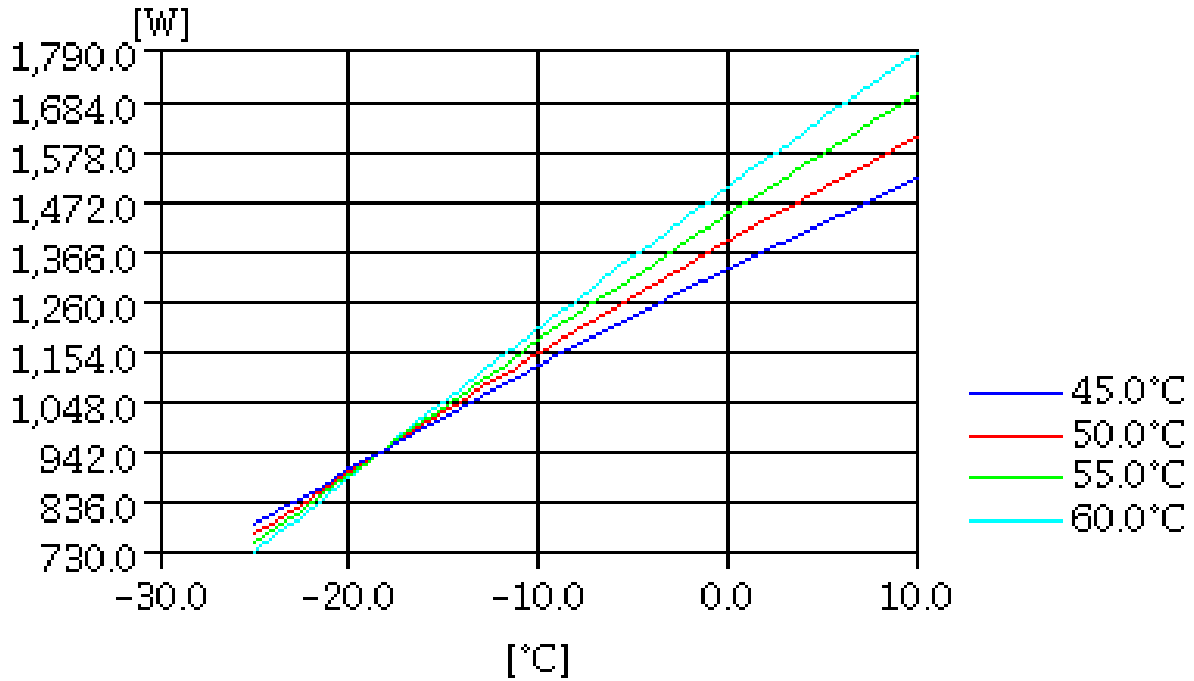
TEST CONDITIONS

Voltage/frequency	220V 50Hz
Ambient t. and return	35 °C
Liq.t. entering expan.	Subcooling 9 K

MASS FLOW

CONSUMPTION


TEST CONDITIONS

Voltage/frequency	220V 50Hz
Ambient t. and return	35 °C
Liq.t. entering expan.	Subcooling 9 K

INPUT W

COOLING CAPACITY
