

COMPRESSOR

Displacement (cm ³)	34.42
Diameter (mm)	42.87
Stroke (mm)	23.85
Net Weight (Kg)	21
Oil type	ISO VG 46 ESTER
Oil charge (cm ³)	887

MOTOR

Approximate Power (CV)	1 5/8
Voltage/Frequency (V/Hz)	400V 50Hz
Voltage range (V)	340-440
Code	82,179
Type	3PHASE
Phase number	3 PH
Locked rotor current (A)	20.0
Main W. resist. at 25°C (Ω)	7.4
Start W. resist. at 25°C (Ω)	10.1

APPLICATION

Application	High/Mid. back pressure
Refrigerant	R404A
Evaporating (°C)	-25 to 10
Expansion	Capillar/Valve
Comp. cooling	Fan cooled
Max. ambient temp. (°C)	43

NOMINAL PERFORMANCE

	CYCLE C	CYCLE D
Cooling capacity (kcal/h)	3639	4551
Input power (W)	2327	2405
EER (kcal/Wh)	1.56	1.89
COP (W/W)	1.81	2.20
Current (A)	4.47	4.59

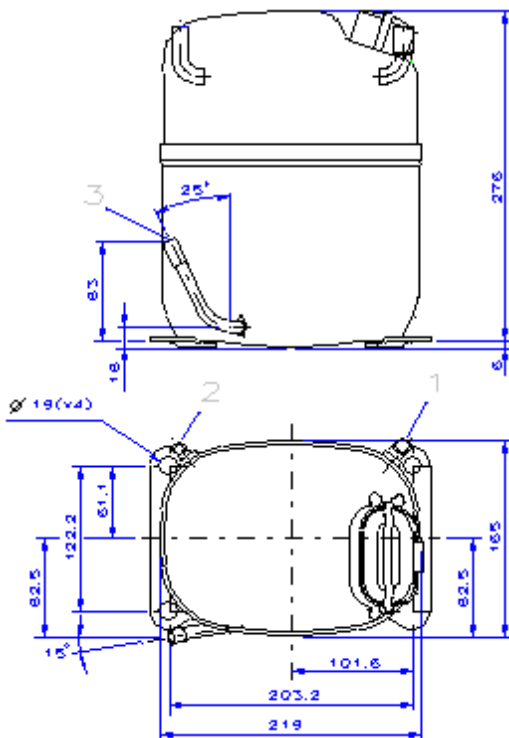
TEST CONDITIONS

Evaporating temp. (°C)	5.0	7.2
Condensing temp. (°C)	55.0	55.0
Liq.t. entering expan. (°C)	55.0	46.0
Ambient t. and return (°C)	32.0	35.0
Tens/Freq (V/Hz)	400V 50Hz	400V 50Hz

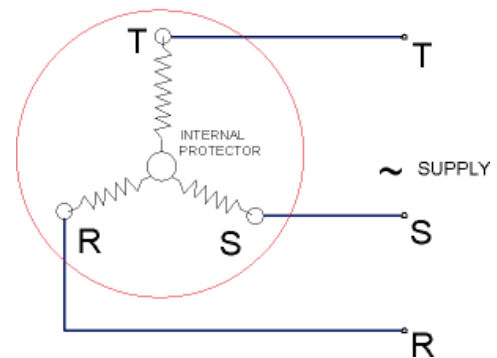
ELECTRICAL COMPONENTS

Protector

INTERNAL

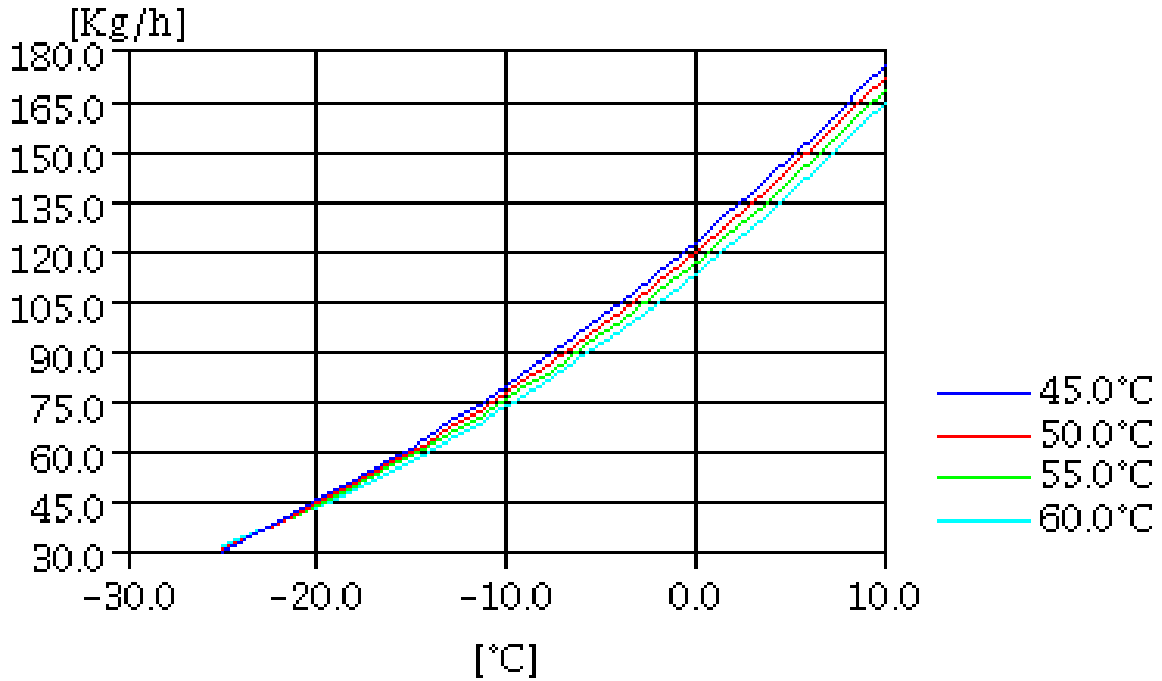
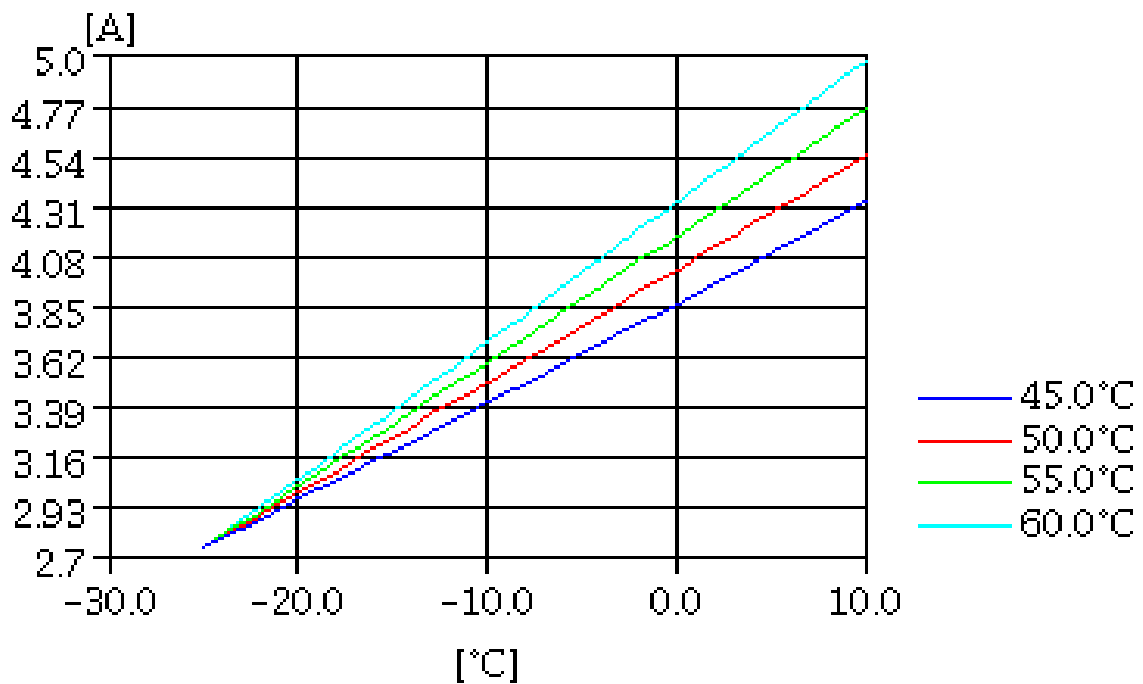
DIMENSIONS AND ELECTRICAL DIAGRAM


	DESIGNATION	INTERNAL DIAM. (MM)
1	Suction	12,7
2	Service	9,6
3	Discharge	8,0

THREE-PHASE


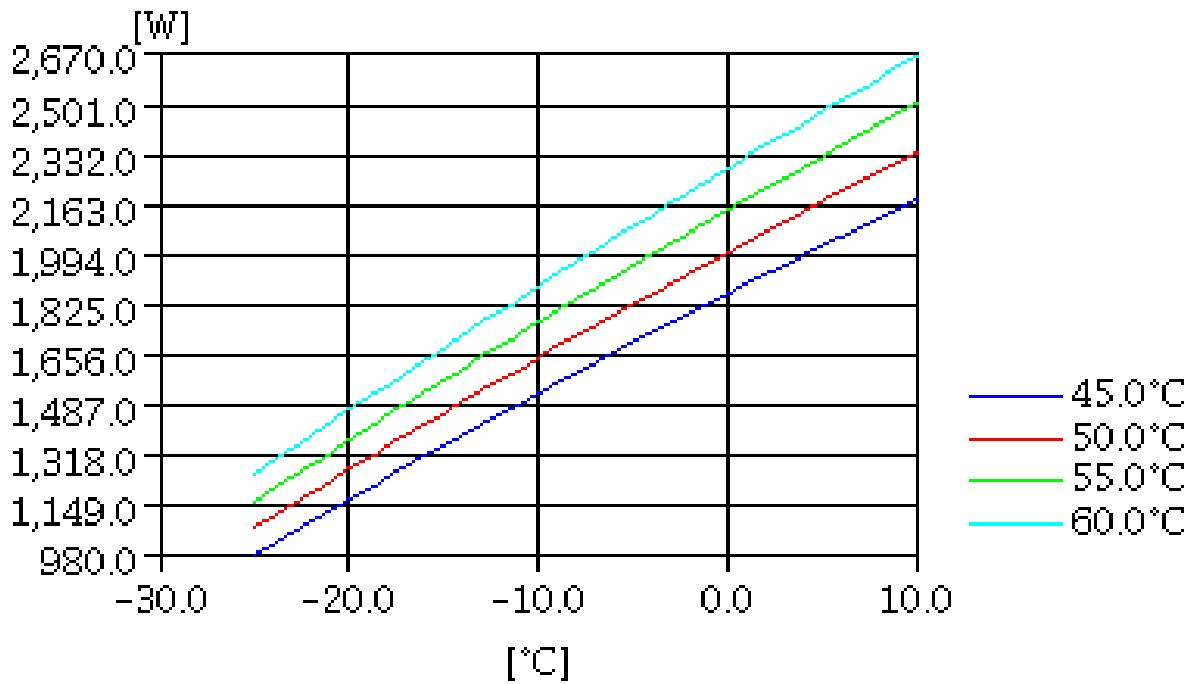
TEST CONDITIONS

Voltage/frequency	400V 50Hz
Ambient t. and return	35 °C
Liq.t. entering expan.	Subcooling 9 K

MASS FLOW

CONSUMPTION


TEST CONDITIONS

Voltage/frequency	400V 50Hz
Ambient t. and return	35 °C
Liq.t. entering expan.	Subcooling 9 K

INPUT W

COOLING CAPACITY
