

**COMPRESSOR**

Displacement (cm <sup>3</sup> )	34.42
Diameter (mm)	42.87
Stroke (mm)	23.85
Net Weight (Kg)	20.5
Oil type	ISO VG 46 ESTER
Oil charge (cm <sup>3</sup> )	887

**MOTOR**

Approximate Power (CV)	1
Voltage/Frequency (V/Hz)	440V 60Hz
Voltage range (V)	374-484
Code	82,204
Type	3PHASE
Phase number	3 PH
Locked rotor current (A)	14.4
Main W. resist. at 25°C (Ω)	10.18
Start W. resist. at 25°C (Ω)	14.03

**APPLICATION**

Application	Low back pressure
Refrigerant	R404A
Evaporating (°C)	-40 to -10
Expansion	Capillar/Valve
Comp. cooling	Fan cooled
Max. ambient temp. (°C)	43

**NOMINAL PERFORMANCE**

	CYCLE A	CYCLE B
Cooling capacity (kcal/h)	1090	1630
Input power (W)	1322	1400
EER (kcal/Wh)	0.82	1.16
COP (W/W)	0.95	1.35
Current (A)	2.30	2.39

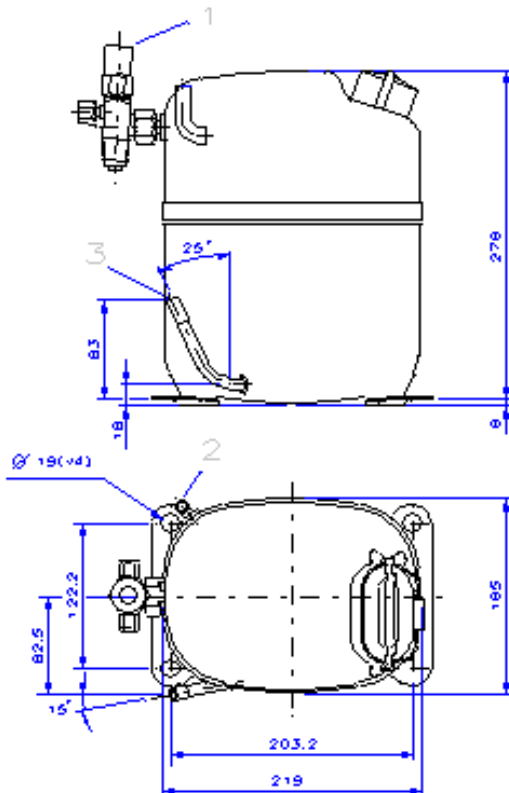
**TEST CONDITIONS**

	CYCLE A	CYCLE B
Evaporating temp. (°C)	-25.0	-23.3
Condensing temp. (°C)	55.0	55.0
Liq.t. entering expan. (°C)	55.0	32.0
Ambient t. and return (°C)	32.0	32.0
Tens/Freq (V/Hz)	440V 60Hz	440V 60Hz

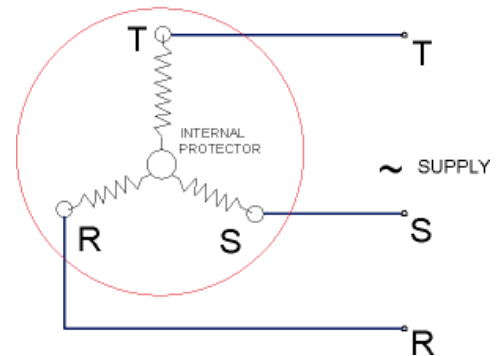
**ELECTRICAL COMPONENTS**

Protector

INTERNAL

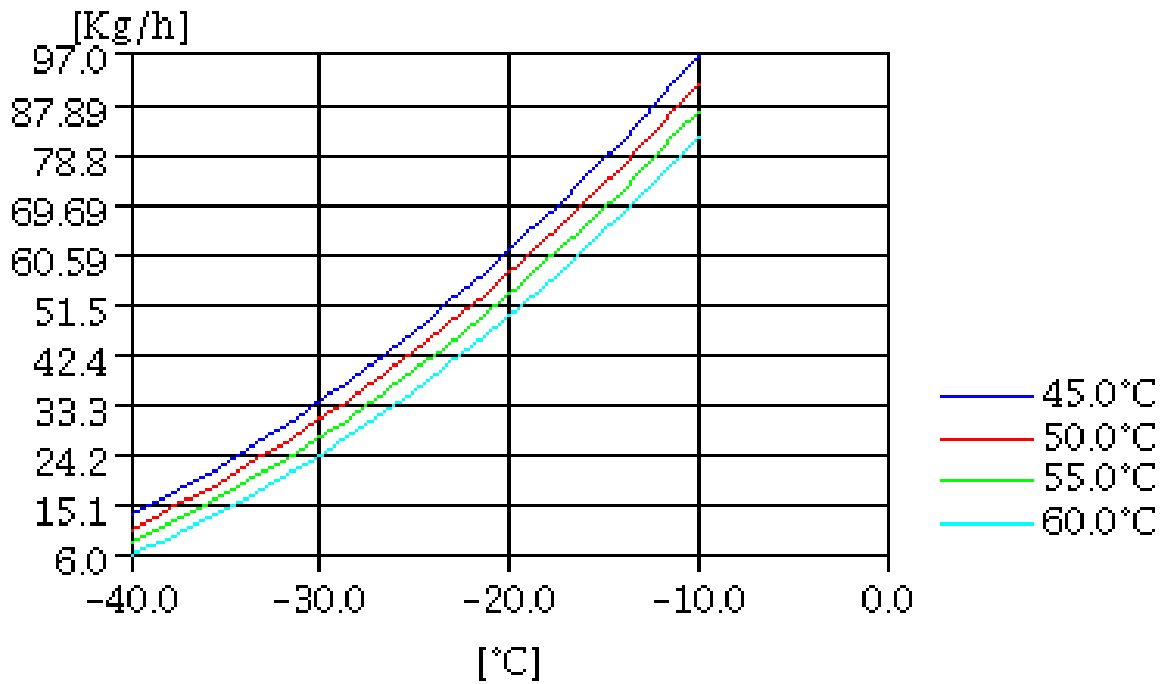
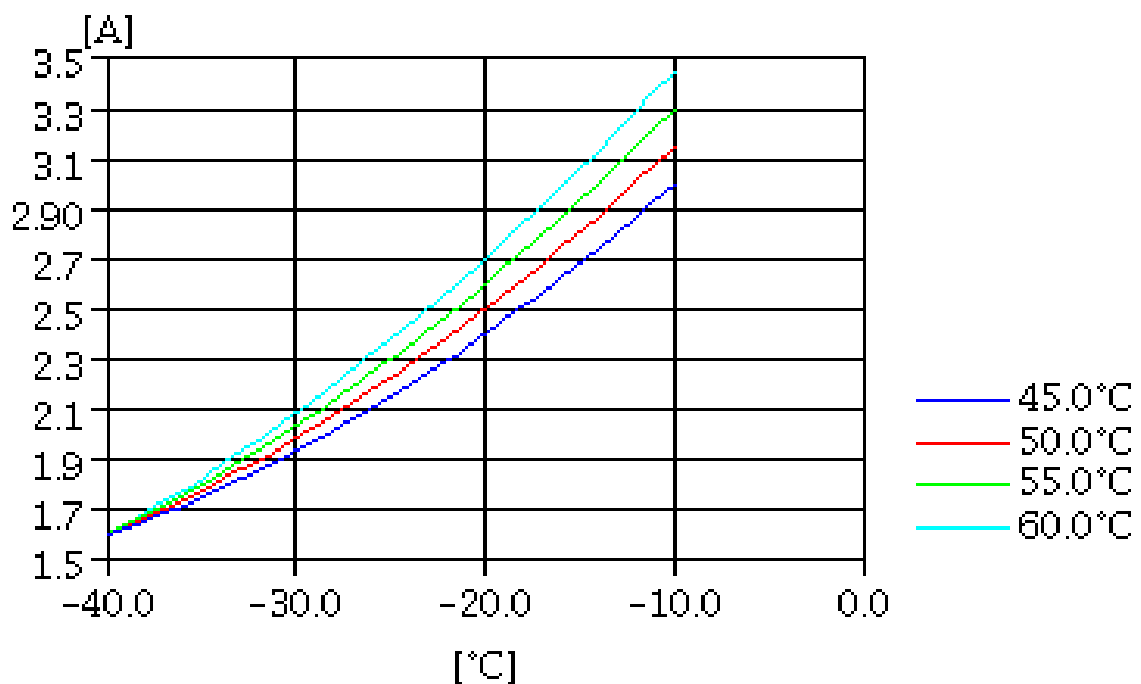
**DIMENSIONS AND ELECTRICAL DIAGRAM**


	DESIGNATION	INTERNAL DIAM. (MM)
1	Válv. Serv.	5/8" SAE
2	Service	9.6
3	Discharge	8.0

**THREE-PHASE**


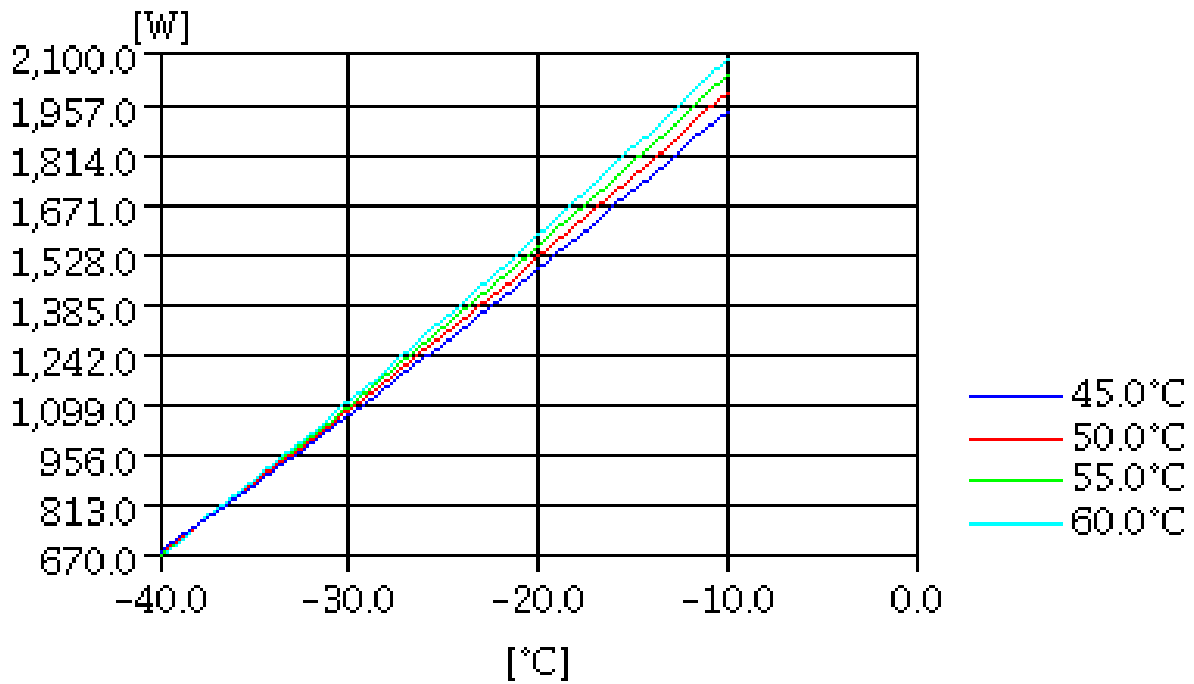
**TEST CONDITIONS**

Voltage/frequency	440V 60Hz
Ambient t. and return	32 °C
Liq.t. entering expan.	Subcooling at 32 °C

**MASS FLOW**

**CONSUMPTION**


**TEST CONDITIONS**

Voltage/frequency	440V 60Hz
Ambient t. and return	32 °C
Liq.t. entering expan.	Subcooling at 32 °C

**INPUT W**

**COOLING CAPACITY**
